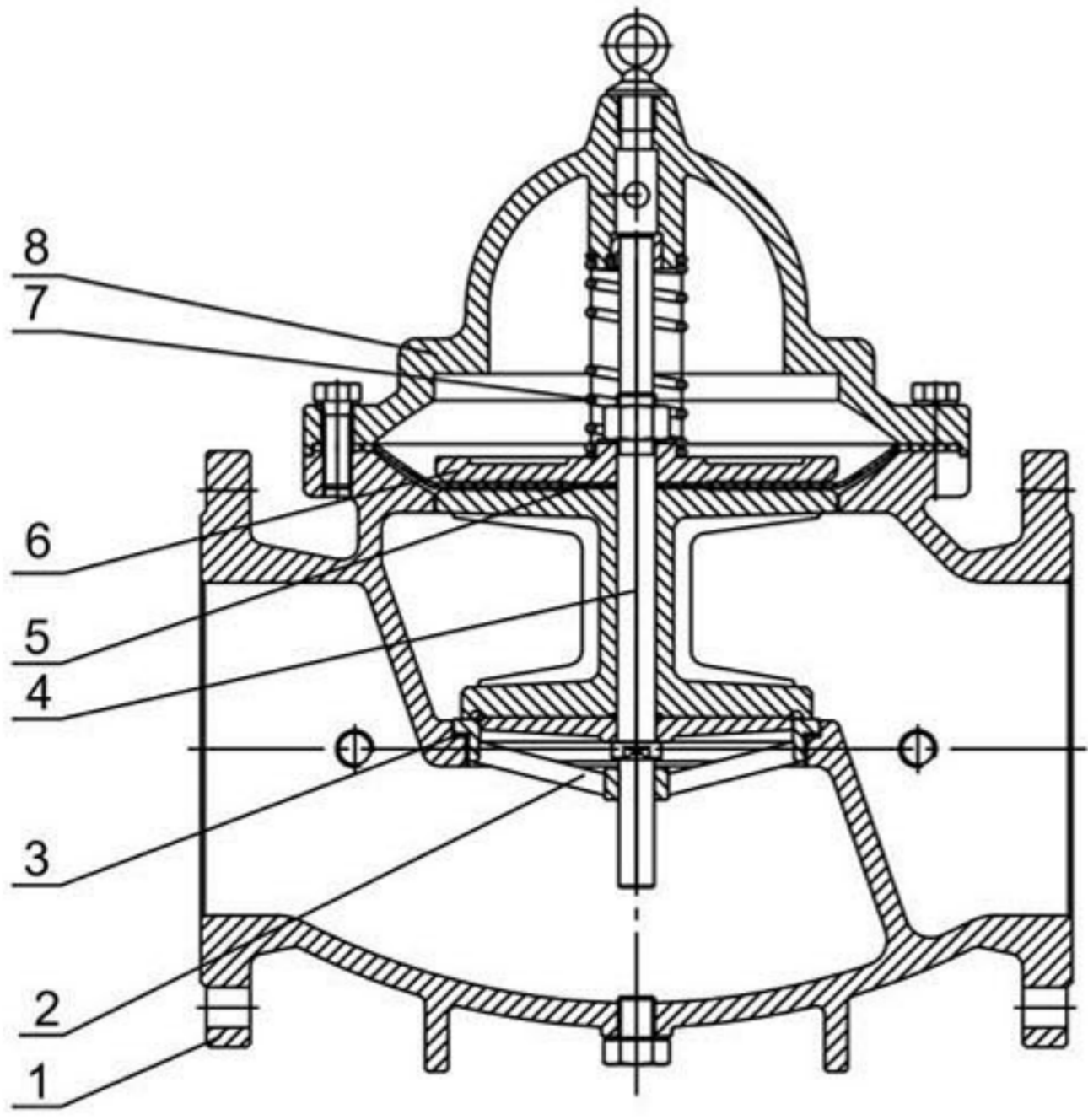


# Pressure Reducing Valve Series

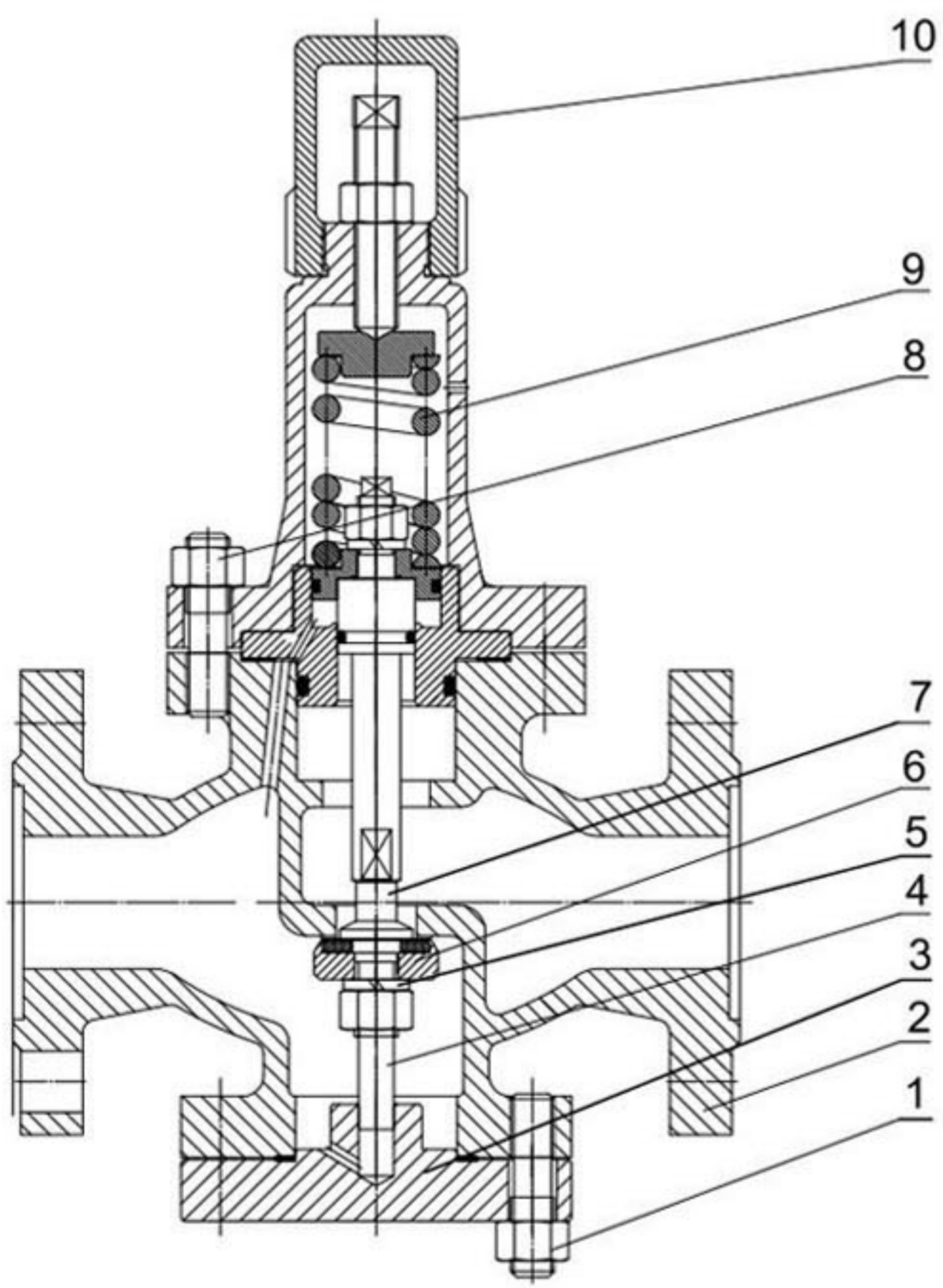


## 200X Pressure Reducing Valve Materials



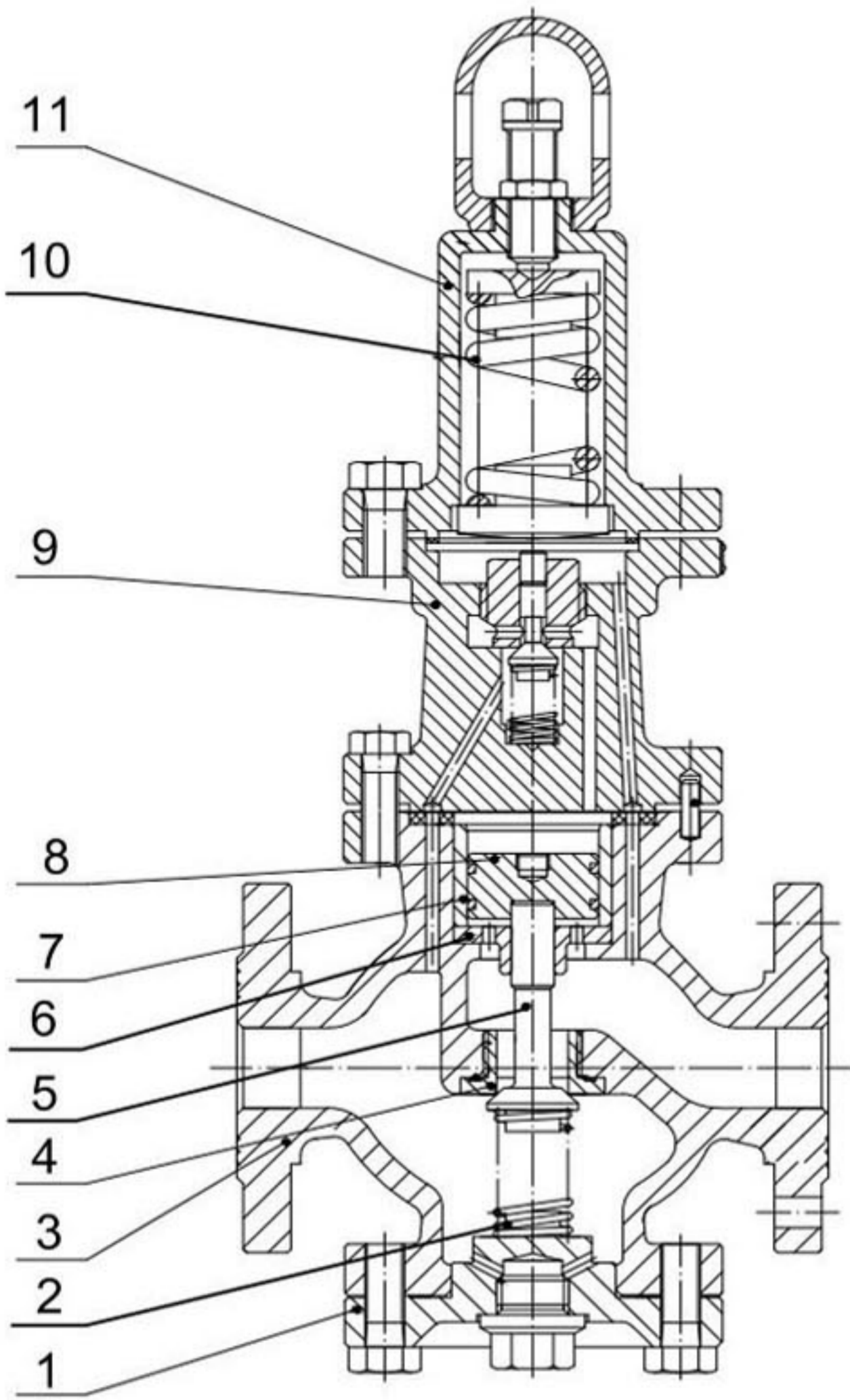
| NO. | Part Name       | Material                             |
|-----|-----------------|--------------------------------------|
| 1   | Body            | Ductile iron / WCB / Stainless steel |
| 2   | Seat            | Stainless steel / Copper alloy       |
| 3   | Seal ring       | NBR / EPDM                           |
| 4   | Stem            | 2Cr13                                |
| 5   | Diaphragm       | Nylon reinforced rubber              |
| 6   | Diaphragm plate | Ductile iron / WCB / Stainless steel |
| 7   | Spring          | 50CrVA                               |
| 8   | Bonnet          | Ductile iron / WCB / Stainless steel |

## Y42<sub>F</sub> Pressure Reducing Valve Materials



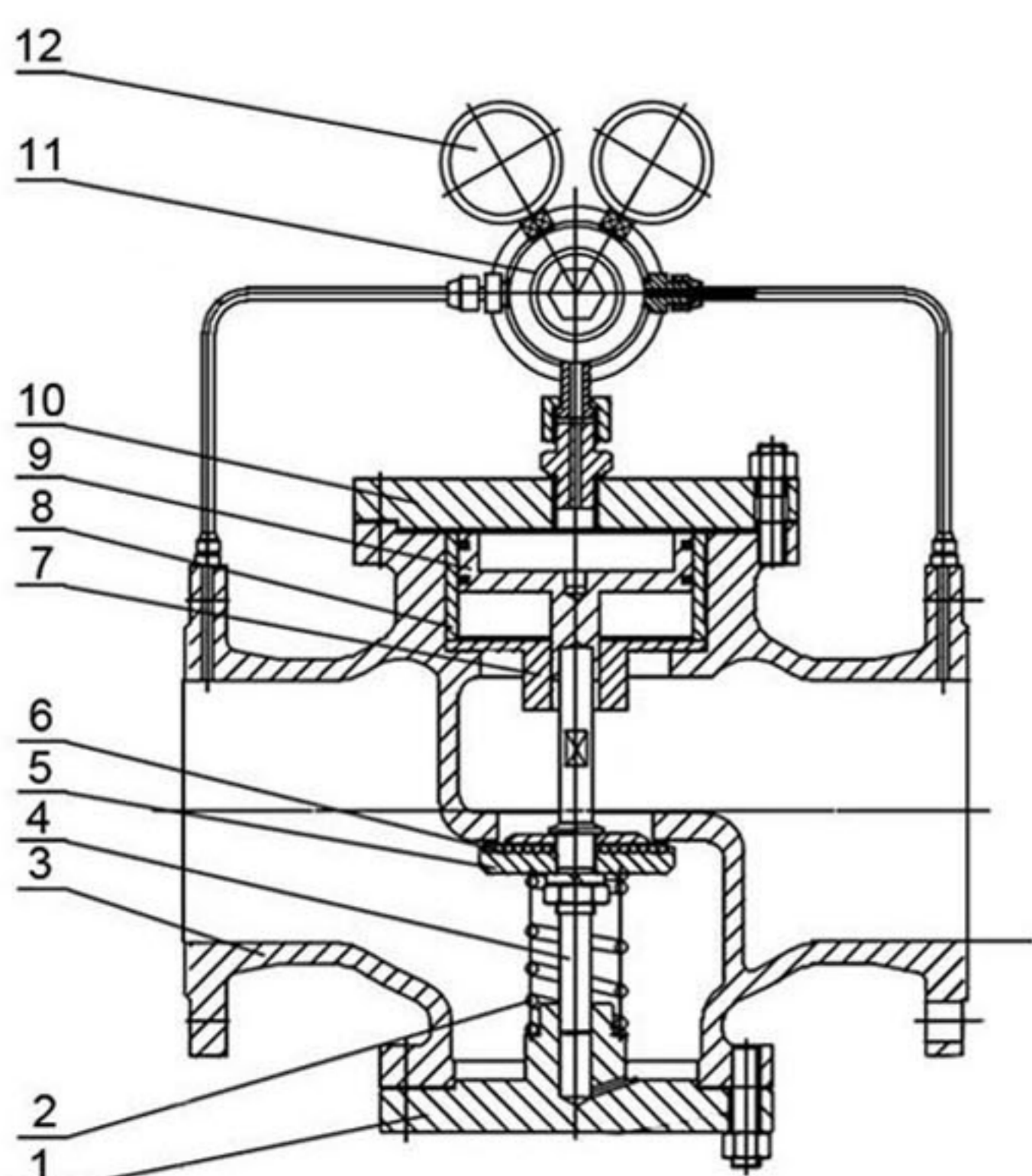
| NO. | Part Name  | Material                |
|-----|------------|-------------------------|
| 1   | Bolt / nut | Steel / Stainless steel |
| 2   | Body       | WCB / CF8 / CF8M        |
| 3   | Bonnet     | WCB / CF8 / CF8M        |
| 4   | Spring     | Si-Mn-Fe-C              |
| 5   | Seat       | NBR / PTFE              |
| 6   | Disc       | 2Cr13 / CF8 / CF8M      |
| 7   | Bolt /nut  | Steel / Stainless steel |
| 8   | Spring     | 50CrVA                  |
| 9   | Bonnet     | WCB / CF8 / CF8M        |
| 10  | Cup        | WCB / Stainless steel   |

## Y43H Pressure Reducing Valve Materials



| NO. | Part Name         | Material                          |
|-----|-------------------|-----------------------------------|
| 1   | Bonnet            | Ductile iron / WCB / CF8 / CF8M   |
| 2   | Main spring       | 50CrVA                            |
| 3   | Body              | Ductile iron / WCB / CF8 / CF8M   |
| 4   | Seat              | 2Cr13 / CF8 / CF8M                |
| 5   | Disc              | 2Cr13 / CF8 / CF8M                |
| 6   | Bottom board      | 2Cr13 / CF8 / CF8M                |
| 7   | Cylinder bush     | 2Cr13 / CF8 / CF8M                |
| 8   | Piston            | 2Cr13 / Copper alloy / CF8 / CF8M |
| 9   | Bonnet            | Ductile iron / WCB / CF8 / CF8M   |
| 10  | Regulating spring | 50CrVA                            |
| 11  | Protective cover  | Cast iron / WCB / Stainless steel |

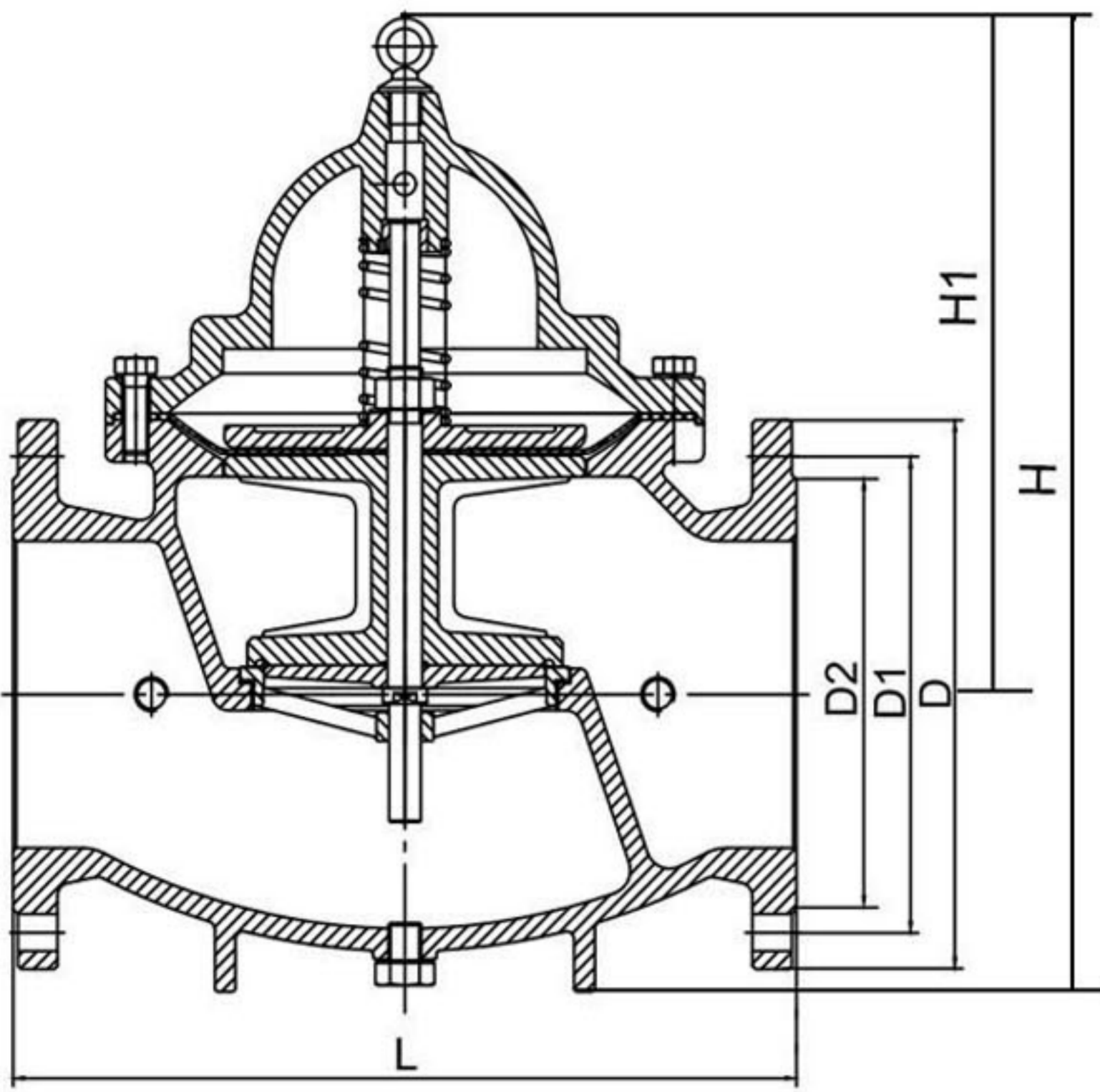
## YK43<sub>F</sub> Pressure Reducing Valve Materials



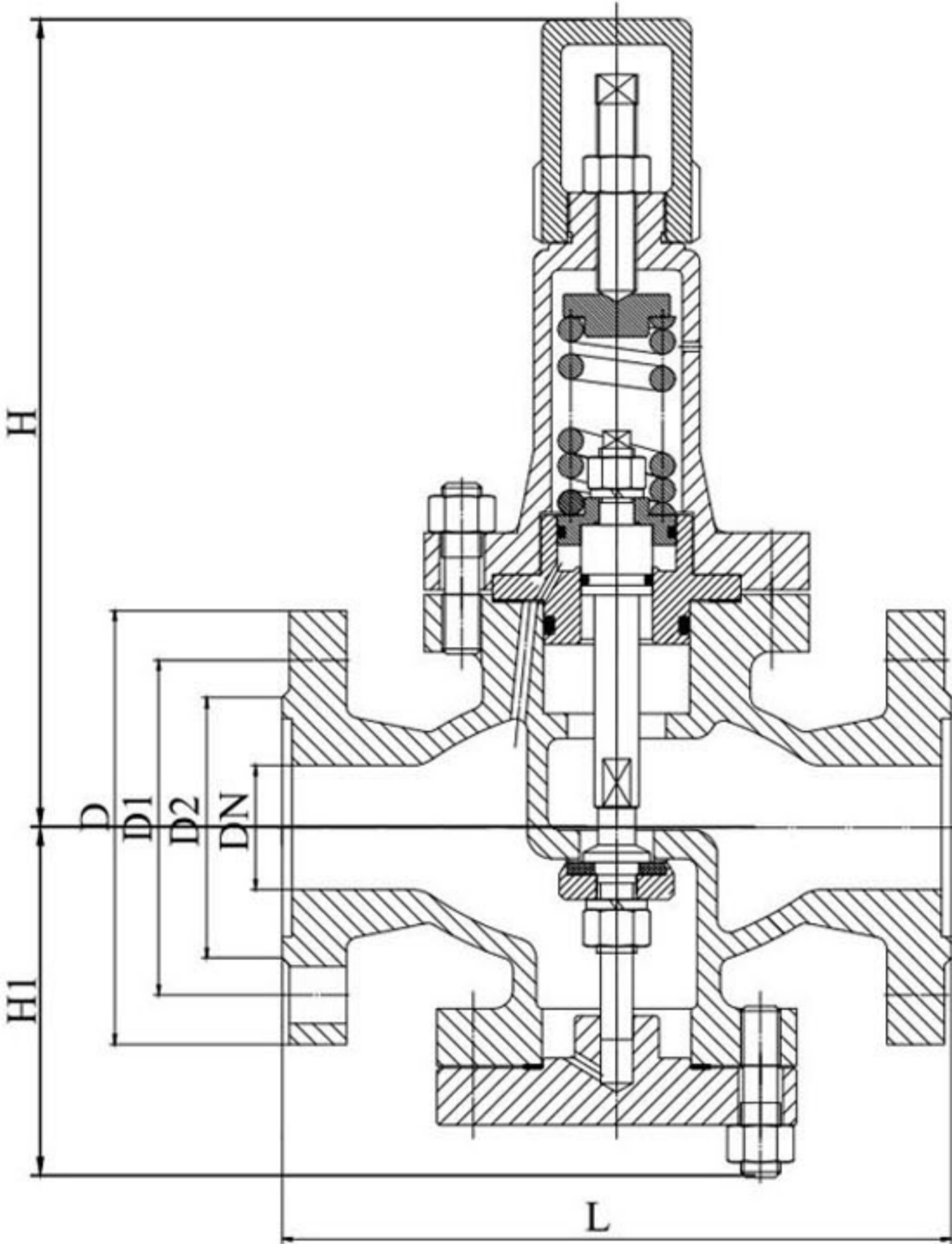
| NO. | Part Name       | Material                                 |
|-----|-----------------|--|
| 1   | Bonnet          | WCB / CF8 / CF8M                         |
| 2   | Spring          | 50CrVA                                   |
| 3   | Body            | WCB / CF8 / CF8M                         |
| 4   | Stem            | 2Cr13 / CF8 / CF8M                       |
| 5   | Disc            | 1Cr18Ni9Ti / 1Cr18Ni12Mo2Ti              |
| 6   | Seal ring       | NBR / PTFE                               |
| 7   | Seat            | 2Cr13 / CF8 / CF8M                       |
| 8   | Cylinder sleeve | 25#(hard chrome plating) / SS304 / SS316 |
| 9   | Plunger         | 2Cr13 / Copper alloy                     |
| 10  | Bonnet          | WCB / CF8 / CF8M                         |
| 11  | Pilot valve     | 25# / CF8 / CF8M                         |
| 12  | Pressure gage   | Standard                                 |

# Pressure Reducing Valve Data

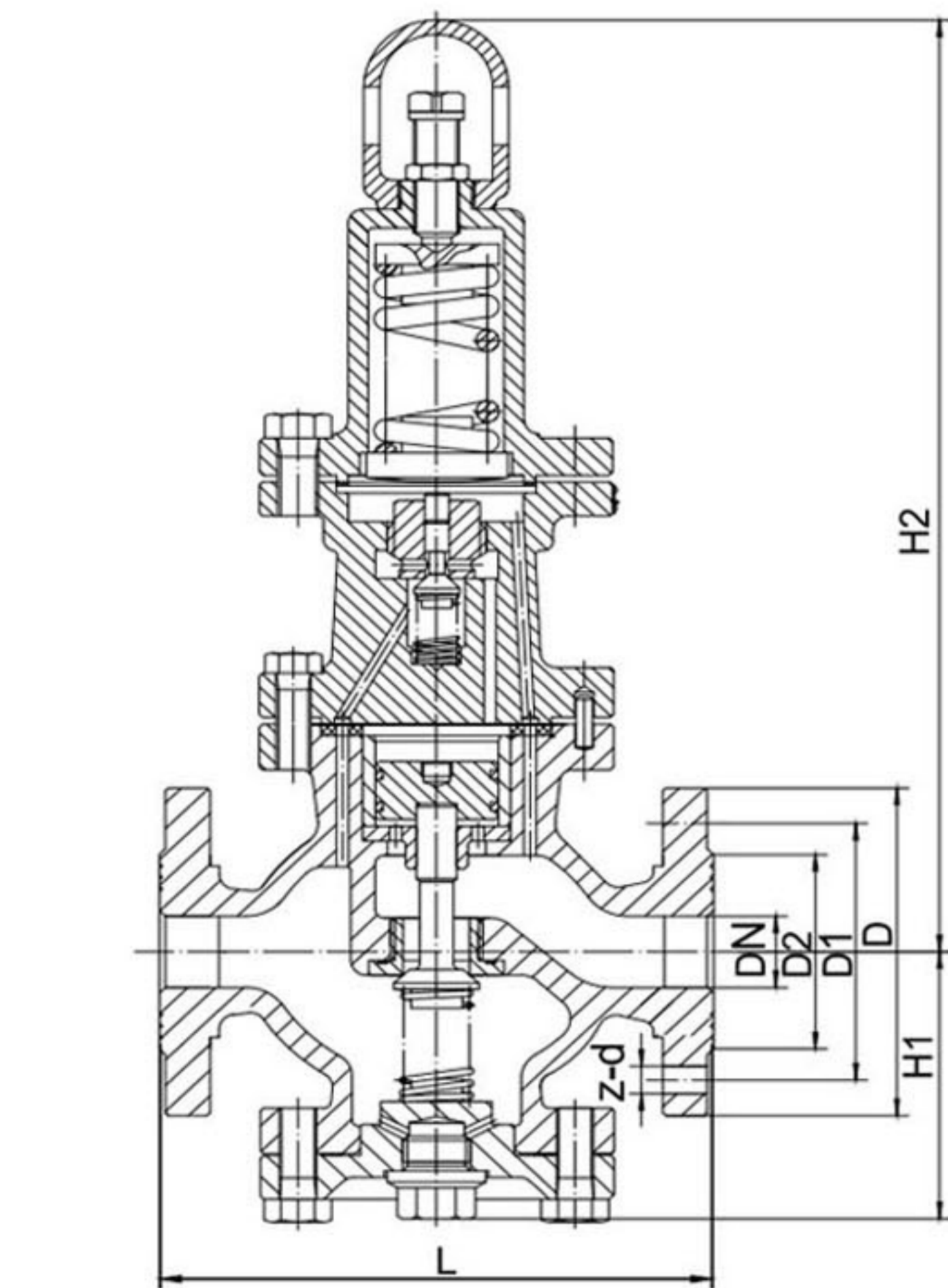
# Series



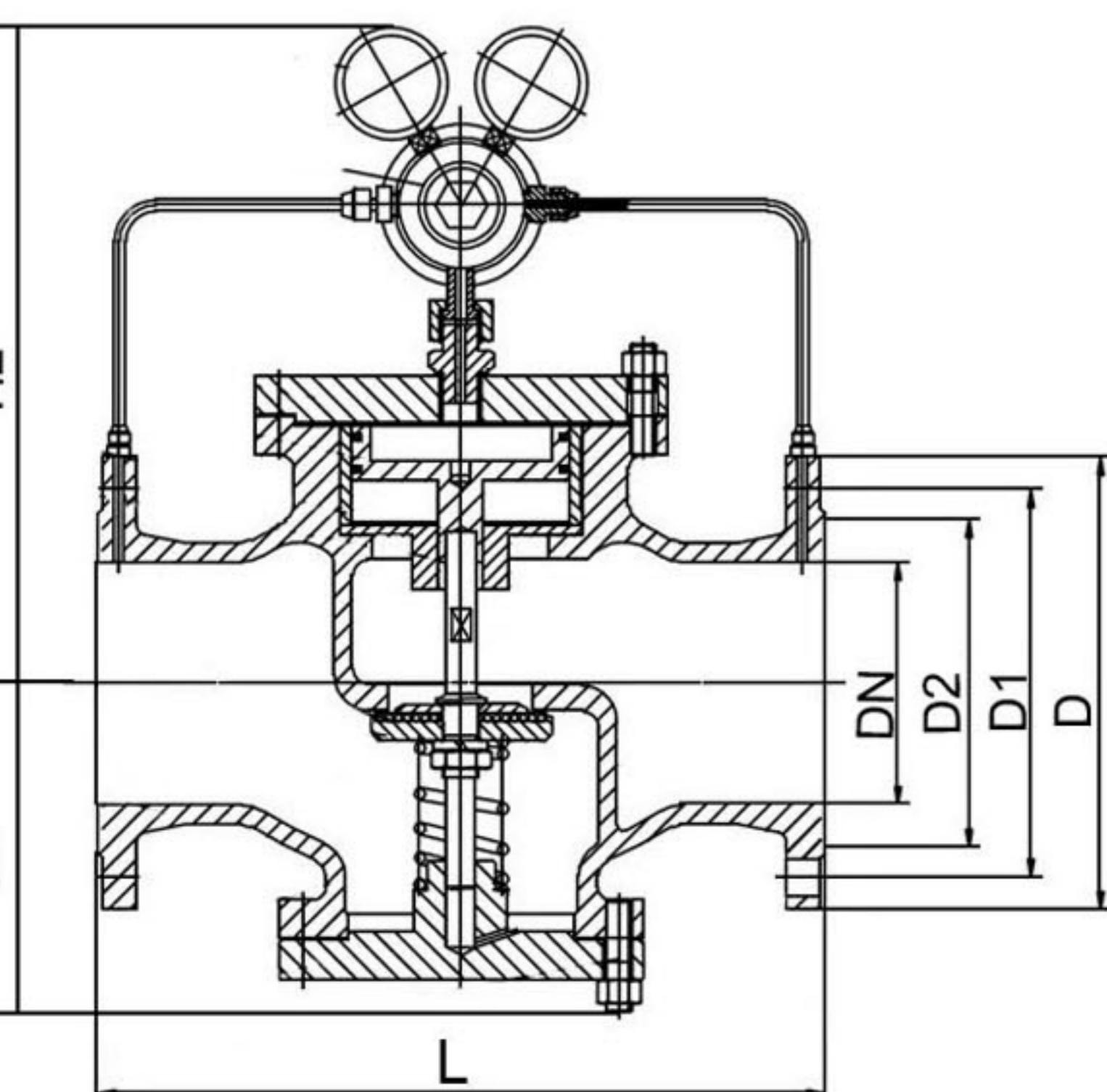
| DN  |        | L    | H    | H1  | D      |        |        | D1     |        |        |
|-----|--------|------|------|-----|--------|--------|--------|--------|--------|--------|
| mm  | Inch   |      |      |     | 1.0MPa | 1.6MPa | 2.5MPa | 1.0MPa | 1.6MPa | 2.5MPa |
| 25  | 1"     | 160  | 342  | 247 | 115    | 115    | 115    | 85     | 85     | 85     |
| 32  | 1-1/4" | 180  | 342  | 247 | 135    | 135    | 135    | 100    | 100    | 100    |
| 40  | 1-1/2" | 200  | 395  | 278 | 145    | 145    | 145    | 110    | 110    | 110    |
| 50  | 2"     | 205  | 395  | 278 | 160    | 160    | 160    | 125    | 125    | 125    |
| 65  | 2-1/2" | 215  | 405  | 298 | 180    | 180    | 180    | 145    | 145    | 145    |
| 80  | 3"     | 240  | 430  | 313 | 195    | 195    | 195    | 160    | 160    | 160    |
| 100 | 4"     | 290  | 510  | 350 | 215    | 215    | 230    | 180    | 180    | 190    |
| 125 | 5"     | 325  | 560  | 365 | 245    | 245    | 270    | 210    | 210    | 220    |
| 150 | 6"     | 355  | 585  | 420 | 280    | 280    | 300    | 240    | 240    | 250    |
| 200 | 8"     | 458  | 675  | 450 | 340    | 335    | 360    | 295    | 295    | 310    |
| 250 | 10"    | 530  | 730  | 470 | 390    | 405    | 425    | 350    | 355    | 370    |
| 300 | 12"    | 615  | 760  | 490 | 440    | 460    | 485    | 400    | 410    | 430    |
| 350 | 14"    | 686  | 840  | 526 | 500    | 520    | 550    | 460    | 470    | 490    |
| 400 | 16"    | 762  | 910  | 570 | 565    | 580    | 615    | 515    | 525    | 550    |
| 450 | 18"    | 864  | 1030 | 610 | 615    | 640    | 670    | 565    | 585    | 600    |
| 500 | 20"    | 914  | 1135 | 665 | 670    | 705    | 730    | 620    | 650    | 660    |
| 600 | 24"    | 1067 | 1270 | 725 | 780    | 840    | 840    | 725    | 770    | 770    |
| 700 | 28"    | 1300 | 1460 | 865 | 895    | 910    | 955    | 840    | 940    | 875    |
| 800 | 32"    | 1450 | 1640 | 975 | 1010   | 1020   | 1070   | 950    | 950    | 990    |



| DN  |        | L   | H    | H1  | D      |        |        | D1     |        |        |
|-----|--------|-----|------|-----|--------|--------|--------|--------|--------|--------|
| mm  | Inch   |     |      |     | 1.0MPa | 1.6MPa | 2.5MPa | 1.0MPa | 1.6MPa | 2.5MPa |
| 15  | 1/2"   | 160 | 225  | 90  | 95     | 95     | 95     | 65     | 65     | 65     |
| 20  | 3/4"   | 160 | 265  | 98  | 105    | 105    | 105    | 75     | 75     | 75     |
| 25  | 1"     | 180 | 265  | 110 | 115    | 115    | 115    | 85     | 85     | 85     |
| 32  | 1-1/4" | 200 | 265  | 110 | 140    | 135    | 135    | 100    | 100    | 100    |
| 40  | 1-1/2" | 220 | 320  | 125 | 150    | 145    | 145    | 110    | 110    | 110    |
| 50  | 2"     | 250 | 320  | 125 | 165    | 160    | 160    | 125    | 125    | 125    |
| 65  | 2-1/2" | 260 | 325  | 130 | 185    | 195    | 180    | 145    | 145    | 145    |
| 80  | 3"     | 310 | 385  | 160 | 200    | 180    | 195    | 160    | 160    | 160    |
| 100 | 4"     | 350 | 385  | 170 | 220    | 215    | 230    | 180    | 180    | 190    |
| 125 | 5"     | 400 | 430  | 200 | 250    | 245    | 270    | 210    | 210    | 220    |
| 150 | 6"     | 450 | 430  | 210 | 285    | 280    | 300    | 240    | 240    | 250    |
| 200 | 8"     | 500 | 560  | 240 | 340    | 335    | 360    | 295    | 295    | 310    |
| 250 | 10"    | 600 | 690  | 290 | 395    | 405    | 425    | 350    | 355    | 370    |
| 300 | 12"    | 800 | 800  | 335 | 445    | 460    | 485    | 400    | 410    | 430    |
| 350 | 14"    | 850 | 880  | 375 | 505    | 520    | 550    | 460    | 470    | 490    |
| 400 | 18"    | 900 | 1100 | 405 | 565    | 580    | 610    | 515    | 525    | 550    |
| 500 | 20"    | 950 | 1130 | 465 | 670    | 705    | 730    | 620    | 650    | 660    |



| DN  |        | L              |      |       |     | L              |     |       |     | D1     |        |        |        |       |
|-----|--------|----------------|------|-------|-----|----------------|-----|-------|-----|--------|--------|--------|--------|-------|
| mm  | Inch   | 1.6/2.5/4.0MPa |      | H2 H1 |     | 6.4/10/16.0MPa |     | H2 H1 |     | 1.6MPa | 2.5MPa | 4.0MPa | 6.4MPa | 10MPa |
|     |        | 15             | 1/2" | 160   | 180 | 295            | 90  | 180   | 180 | 305    | 100    | 65     | 65     | 65    |
| 20  | 3/4"   | 160            | 180  | 330   | 98  | 180            | 200 | 340   | 105 | 75     | 75     | 75     | 90     | 90    |
| 25  | 1"     | 180            | 200  | 330   | 110 | 200            | 220 | 340   | 120 | 85     | 85     | 85     | 100    | 100   |
| 32  | 1-1/4" | 200            | 220  | 330   | 110 | 220            | 230 | 340   | 120 | 100    | 100    | 100    | 110    | 110   |
| 40  | 1-1/2" | 220            | 240  | 345   | 125 | 240            | 240 | 355   | 135 | 110    | 110    | 110    | 125    | 125   |
| 50  | 2"     | 250            | 270  | 345   | 125 | 270            | 300 | 355   | 135 | 125    | 125    | 125    | 135    | 145   |
| 65  | 2-1/2" | 260            | 280  | 350   | 130 | 280            | 340 | 360   | 140 | 145    | 145    | 145    | 160    | 170   |
| 80  | 3"     | 310            | 330  | 385   | 160 | 330            | 360 | 395   | 170 | 160    | 160    | 160    | 170    | 180   |
| 100 | 4"     | 350            | 380  | 385   | 170 | 380            | 380 | 400   | 185 | 180    | 190    | 190    | 200    | 210   |
| 125 | 5"     | 400            | 450  | 400   | 200 | 450            | 450 | 415   | 215 | 210    | 220    | 220    | 240    | 250   |
| 150 | 6"     | 450            | 500  | 415   | 210 | 500            | 500 | 430   | 225 | 240    | 250    | 250    | 280    | 290   |
| 200 | 8"     | 500            | 560  | 475   | 240 | 560            | 560 | 495   | 260 | 295    | 310    | 320    | 345    | 360   |
| 250 | 10"    | 600            | 600  | 525   | 290 | 600            | 600 | 545   | 310 | 355    | 370    | 385    | 400    | 430   |
| 300 | 12"    | 800            | 800  | 580   | 335 | 800            | 800 | 600   | 355 | 410    | 430    | 450    | 460    | 500   |
| 350 | 14"    | 850            | 850  | 620   | 375 | 850            | 850 | 640   | 395 | 470    | 490    | 510    | 525    | 560   |
| 400 | 18"    | 900            | 900  | 660   | 405 | 900            | 900 | 690   | 435 | 525    | 550    | 585    | 585    |       |
| 500 | 20"    | 950            | 950  | 750   | 465 | 950            | 950 | 780   | 495 | 650    | 660    | 670    |        |       |



| DN  |        | L              |      |       |     | L              |     |       |     | D1     |        |        |        |       |
|-----|--------|----------------|------|-------|-----|----------------|-----|-------|-----|--------|--------|--------|--------|-------|
| mm  | Inch   | 1.6/2.5/4.0MPa |      | H2 H1 |     | 6.4/10/16.0MPa |     | H2 H1 |     | 1.6MPa | 2.5MPa | 4.0MPa | 6.4MPa | 10MPa |
|     |        | 15             | 1/2" | 160   | 180 | 290            | 90  | 180   | 180 | 300    | 100    | 65     | 65     | 65    |
| 20  | 3/4"   | 160            | 180  | 300   | 98  | 180            | 200 | 310   | 105 | 75     | 75     | 75     | 90     | 90    |
| 25  | 1"     | 180            | 200  | 300   | 110 | 200            | 220 | 310   | 120 | 85     | 85     | 85     | 100    | 100   |
| 32  | 1-1/4" | 200            | 220  | 300   | 110 | 220            | 230 | 310   | 120 | 100    | 100    | 100    | 110    | 110   |
| 40  | 1-1/2" | 220            | 240  | 320   | 125 | 240            | 240 | 335   | 135 | 110    | 110    | 110    | 125    | 125   |
| 50  | 2"     | 250            | 270  | 320   | 125 | 270            | 300 | 335   | 135 | 125    | 125    | 125    | 135    | 145   |
| 65  | 2-1/2" | 260            | 280  | 325   | 130 | 280            | 340 | 340   | 140 | 145    | 145    | 145    | 160    | 170   |
| 80  | 3"     | 310            | 330  | 365   | 160 | 330            | 360 | 380   | 170 | 160    | 160    | 160    | 170    | 180   |
| 100 | 4"     | 350            | 380  | 365   | 170 | 380            | 380 | 380   | 185 | 180    | 190    | 190    | 200    | 210   |
| 125 | 5"     | 400            | 450  | 475   | 200 | 450            | 450 | 490   | 215 | 210    | 220    | 220    | 240    | 250   |
| 150 | 6"     | 450            | 500  | 475   | 210 | 500            | 500 | 490   | 225 | 240    | 250    | 250    | 280    | 290   |
| 200 | 8"     | 500            | 560  | 515   | 240 | 560            | 560 | 535   | 260 | 295    | 310    | 320    | 345    | 360   |
| 250 | 10"    | 600            | 600  | 560   | 290 | 600            | 600 | 580   | 310 | 355    | 370    | 385    | 400    | 430   |
| 300 | 12"    | 800            | 800  | 705   | 335 | 800            | 800 | 725   | 355 | 410    | 430    | 450    | 460    | 500   |
| 350 | 14"    | 850            | 850  | 745   | 375 | 850            | 850 | 765   | 395 | 470    | 490    | 510    | 525    | 560   |
| 400 | 18"    | 900            | 900  | 780   | 405 | 900            | 900 | 800   | 435 | 525    | 550    | 585    | 585    |       |
| 500 | 20"    | 950            | 950  | 835   | 465 | 950            | 950 | 855   | 495 | 650    | 660    | 670    |        |       |