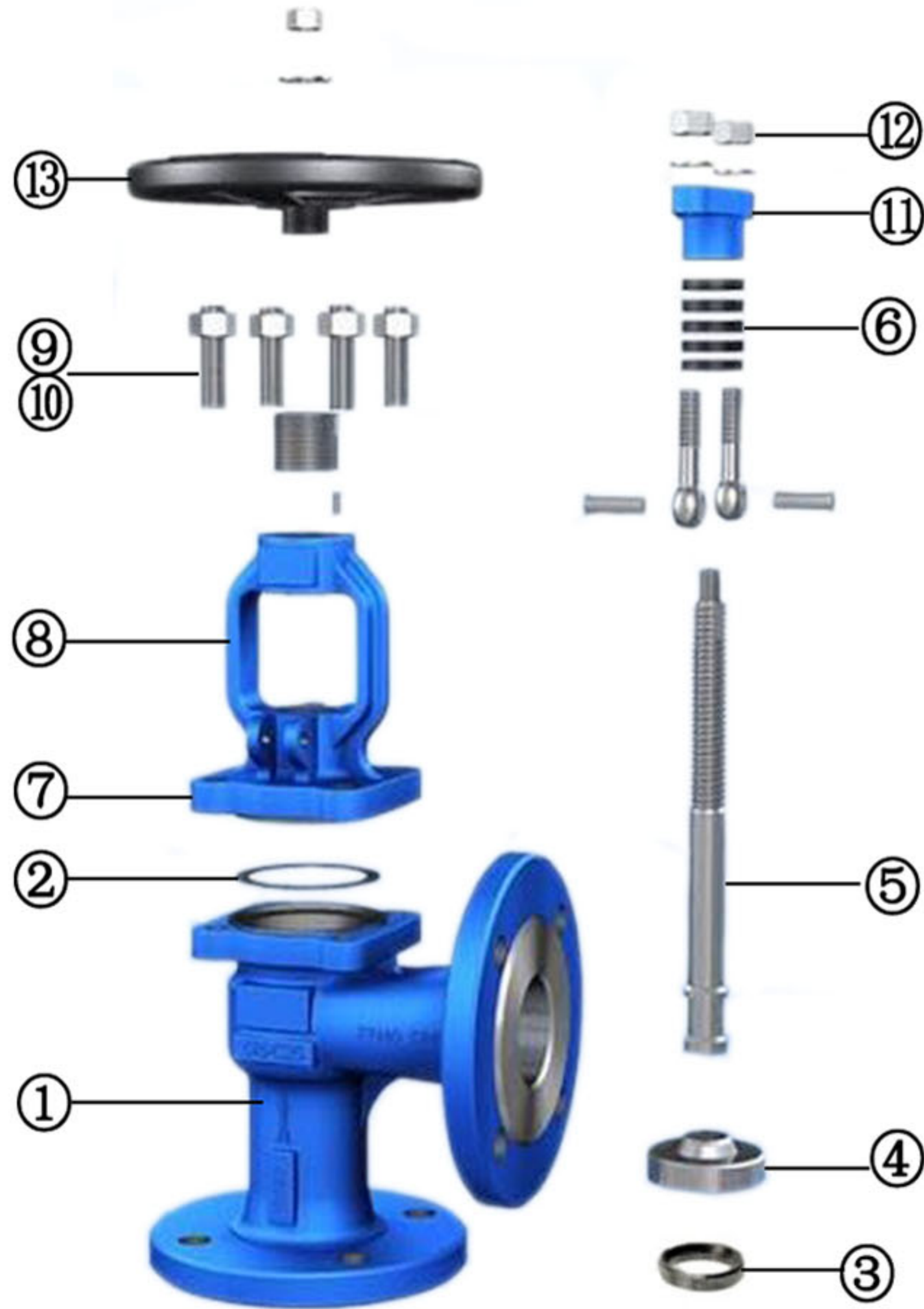


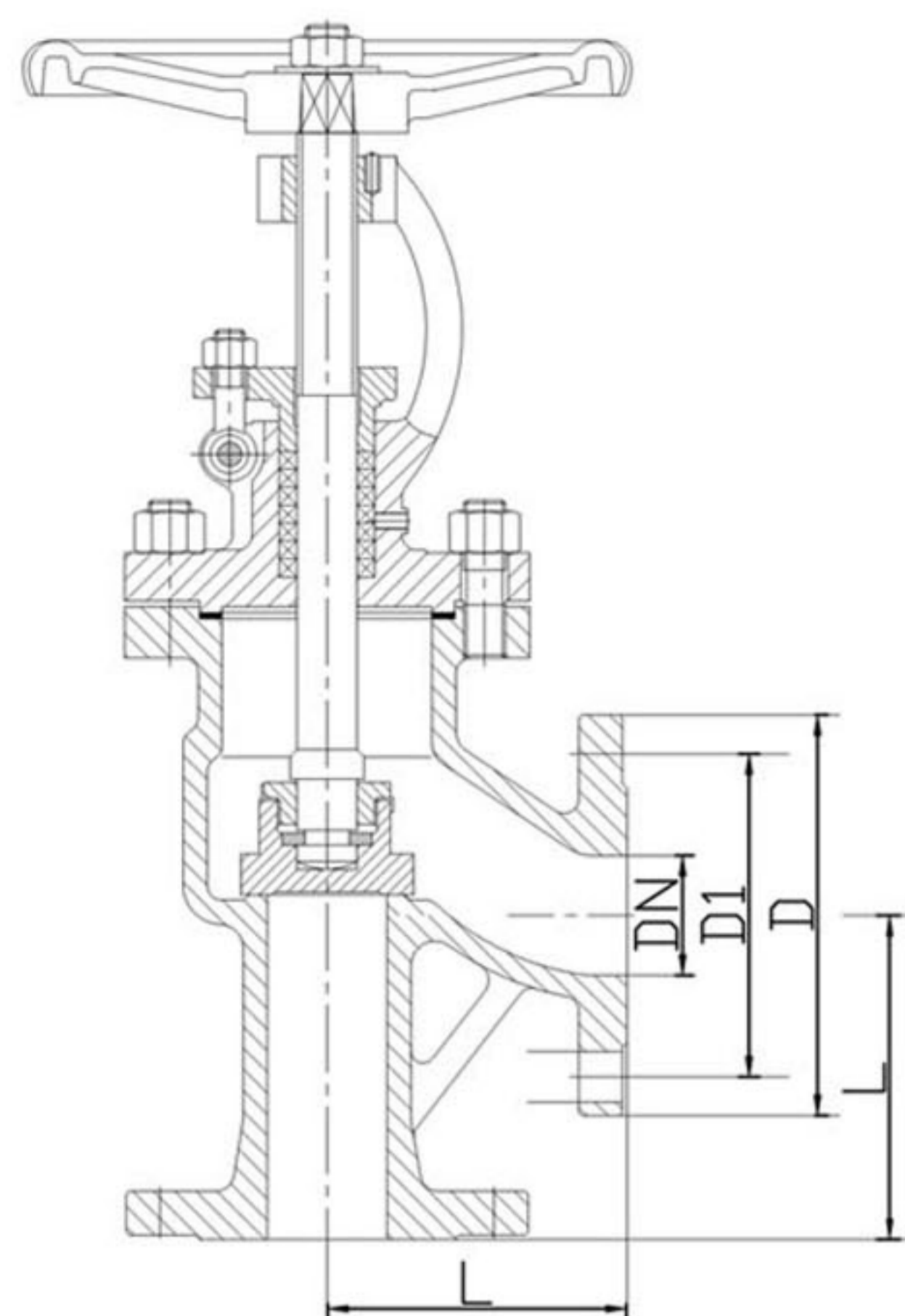
GJA Globe Valve Data Series



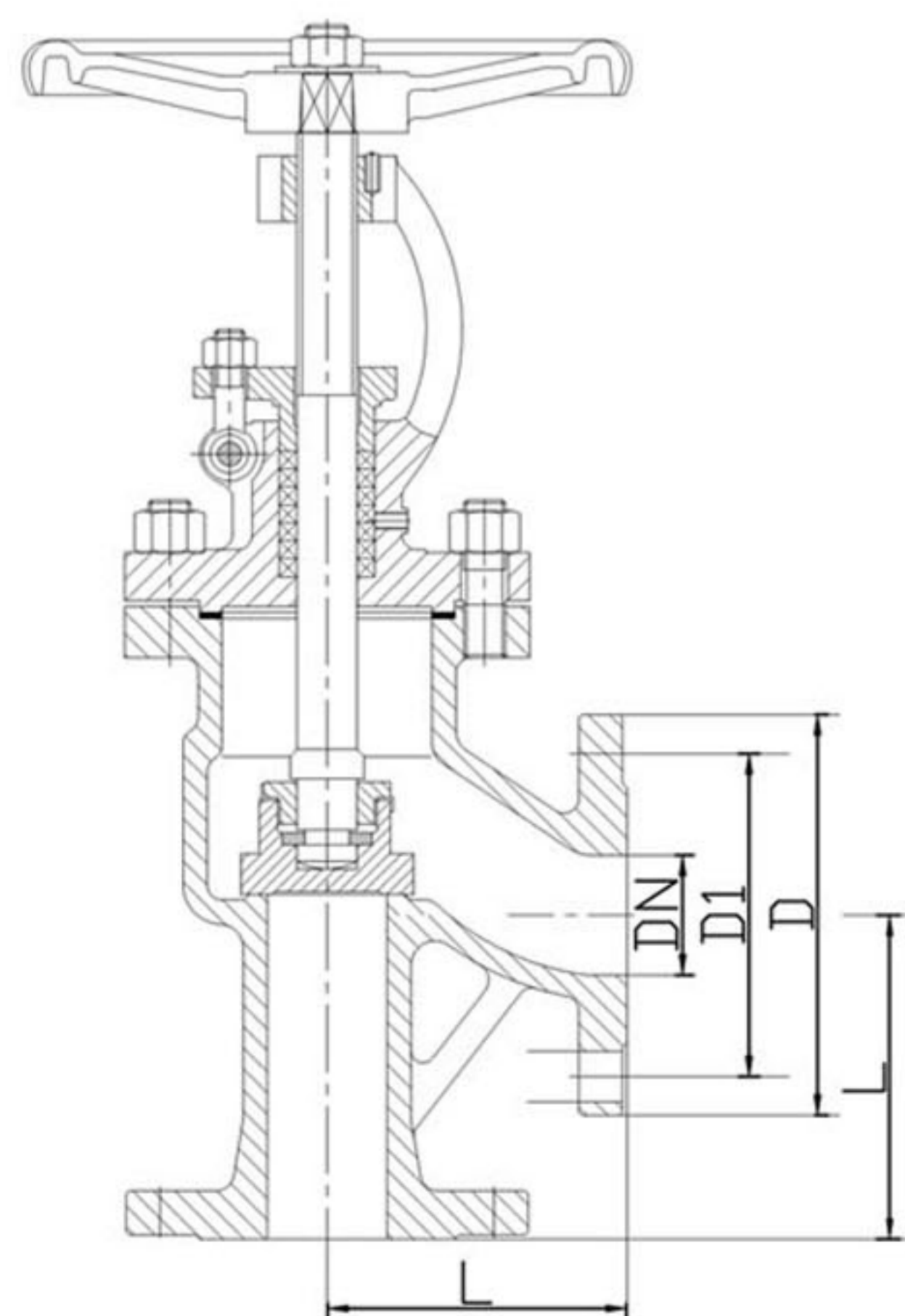
GJA Globe Valve Materials

NO.	Part Name	Material				
		WCB	CF8	CF8M	CF3	CF3M
1	Body	WCB	CF8	CF8M	CF3	CF3M
2	Gasket	SS304 + Graphite				
3	Seat	2Cr13	CF8/STL	CF8M/STL	CF3/STL	CF3M/STL
4	Disc	WCB	CF8	CF8M	CF3	CF3M
5	Stem	2Cr13	CF8	CF8M	CF3	CF3M
6	Packing	PTFE	Flexible Graphite			
7	Bonnet	WCB	CF8	CF8M	CF3	CF3M
8	Yoke	WCB	CF8	CF8M	CF3	CF3M
9	Bolt	35#	A193 B8	A193 B8M	A193 B8	A193 B8M
10	Nut	45#	A194 8	A194 8M	A194 8	A194 8M
11	Plate	WCB	CF8	CF8M	CF3	CF3M
12	Stem nut	Brass	Brass	Brass	Brass	Brass
13	Handwheel	HT200	Steel	Steel	Steel	Steel

Angle Globe Valve Series



DN		1.6MPa				2.5MPa				4.0MPa				6.4MPa				10.0MPa			
(MM)	(Inch)	L	D	D1	z-φd	L	D	D1	z-φd	L	D	D1	z-φd	L	D	D1	z-φd	L	D	D1	z-φd
15	1/2"	90	95	65	4-14	90	95	65	4-14	90	95	65	4-14	105	105	75	4-14	105	105	75	4-14
20	3/4"	95	105	75	4-14	95	105	75	4-14	95	105	75	4-14	115	125	90	4-18	115	125	90	4-18
25	1"	100	115	85	4-14	100	115	85	4-14	100	115	85	4-14	115	135	100	4-18	115	135	100	4-18
32	1-1/4"	105	130	100	4-18	105	135	100	4-18	105	135	100	4-18	130	150	110	4-23	130	150	110	4-23
40	1-1/2"	115	145	110	4-18	115	145	110	4-18	115	145	110	4-18	130	165	125	4-23	130	165	125	4-23
50	2"	125	160	125	4-18	125	160	125	4-18	125	160	125	4-18	150	175	135	4-23	150	195	145	4-25
65	2-1/2"	145	180	145	4-18	145	180	145	8-18	145	180	145	8-18	170	200	160	8-23	170	220	170	8-25
80	3"	155	195	160	8-18	155	195	160	8-18	155	195	160	8-18	190	210	170	8-23	190	230	180	8-25
100	4"	175	215	180	8-18	175	230	190	8-23	175	230	190	8-23	215	250	200	8-25	215	265	210	8-30
125	5"	200	245	210	8-18	200	270	220	8-25	200	270	220	8-25	250	295	240	8-30	250	310	250	8-34
150	6"	225	280	240	8-23	225	300	250	8-25	225	300	250	8-25	275	340	280	8-34	275	350	290	12-34
200	8"	275	335	295	12-23	275	360	310	12-25	275	375	310	12-30	325	405	345	12-34	325	430	360	12-41
250	10"	325	405	355	12-25	325	425	370	12-30	325	445	370	12-34								
300	12"	375	460	410	12-25	375	485	430	16-30	375	510	430	16-34								
350	14"	425	520	470	16-25	425	550	490	16-34	425	570	490	16-34								
400	16"	475	580	525	16-30	475	610	550	16-34	475	655	550	16-41								
450	18"	500	640	585	20-30	500	660	600	20-34	500	680	610	20-41								



DN		150LB				300LB				600LB				10K				20K			
(MM)	(Inch)	L	D	D1	z-φd	L	D	D1	z-φd	L	D	D1	z-φd	L	D	D1	z-φd	L	D	D1	z-φd
15	1/2"	90	90	60.3	4-16	90	95	66.7	4-16	105	95	66.7	4-16	90	95	70	4-15	90	95	70	4-15
20	3/4"	95	100	70	4-16	95	115	82.6	4-19	115	115	82.6	4-19	95	100	75	4-15	95	100	75	4-15
25	1"	100	110	79.5	4-16	100	125	89	4-19	115	125	89	4-19	100	125	90	4-19	100	125	90	4-19
32	1-1/4"	105	115	89	4-16	105	135	98.5	4-19	130	135	98.5	4-19	105	135	100	4-19	105	135	100	4-19
40	1-1/2"	115	125	98.5	4-16	115	155	114.3	4-22.5	130	155	114.3	4-22.5	115	140	105	4-19	115	140	105	4-19
50	2"	125	150	120.5	4-19	125	165	127	8-19	150	165	127	8-19	125	155	120	4-19	125	155	120	8-19
65	2-1/2"	145	180	139.5	4-19	145	190	149.2	8-23	170	190	149.2	8-23	145	175	140	4-19	145	175	140	8-19
80	3"	155	190	152.5	4-19	155	210	168.3	8-23	190	210	168.3	8-23	155	185	150	8-19	155	200	160	8-23
100	4"	175	230	190.5	8-19	175	255	200	8-23	215	275	216	8-23	175	210	175	8-19	175	225	185	8-23
125	5"	200	255	216	8-22	200	280	235	8-23	250	330	266.7	8-29	200	250	210	8-23	200	270	225	8-25
150	6"	225	280	241.5	8-22	225	320	270	12-23	275	355	292.1	12-29	225	280	240	8-23	225	305	260	12-25
200	8"	275	345	298.5	8-22	275	380	330.2	12-23	325	420	349.2	12-32	275	330	290	12-23	275	350	305	12-25
250	10"	325	405	362	12-25	325	445	387.4	16-29					325	400	355	12-25	325	430	380	12-27
300	12"	375	485	432	12-25	375	520	450.8	16-32					375	445	400	16-25	375	480	430	16-27
350	14"	425	535	476.3	12-29	425	585	514.4	20-32					425	490	445	16-25	425	540	480	16-33
400	16"	475	595	540	16-29	475	650	571.5	20-35					475	560	510	16-27	475	605	540	16-33
450	18"	500	635	578	16-32	500	710	628.6	24-35					500	620	565	20-27	500	675	605	20-33